



INSTRUCTION MANUAL

Installation Guide





IMPORTANT

1. Wear personal protective equipment (PPE), including eye protection and gloves during the installation.
2. It is the responsibility of the installer to meet all local building codes and permit requirements.
3. MODERN PERGOLA shall not be held liable for improper or unsafe installations.
4. Post bracket must always be properly secured to the substrate:
 - a. For timber/ composite decking installation- the posts must be fixed to the main framing structure via minimum of 16no of 10 x 60mm bolts HEX.
 - b. For concrete installation - the posts must be fixed via 16no of Klimas Nylon plug and 10 x 60mm bolts HEX (or similar) permanently fixed to sound, un-cracked concrete that minimum weight is 120kg under each post bracket.
5. Consult your local building permit office or qualified structural engineer to determine the correct fixings has been used for your substrate.
6. Do not leave partially assembled structure unattended.
7. Do not leave fully assembled structure unattended without posts permanently attached to the ground.
8. Do not assemble or install your structure during foul weather, including rain, lightning or high winds.

LIMITED WARRANTY:

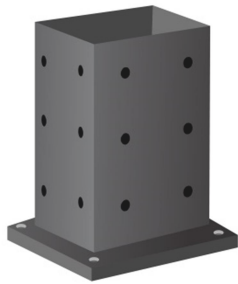
MODERN PERGOLA warrants products to be free from defects in material or manufacturing. MODERN PERGOLA products are further warranted for adequacy of design when used in accordance with design limits and when properly specified, installed and maintained. This warranty does not apply to uses not in compliance with specific applications and installations, or to or modified products, or to deterioration due to environmental conditions.

Due to the particular characteristics of potential impact events, the specific design and location of the structure, the building materials used, the quality of construction, and the condition of the soils involved, damage may nonetheless result to a structure and its contents even if the loads resulting from the impact event do not exceed MODERN PERGOLA specifications and MODERN PERGOLA connectors are properly installed in accordance with applicable building codes.

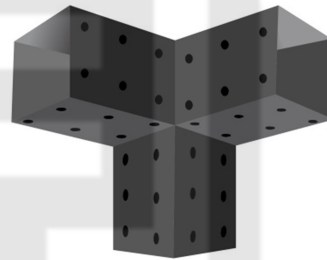
All warranty obligations of MODERN PERGOLA. shall be limited to two (2) years against manufacturing defects, at the discretion of MODERN PERGOLA., to repair or replacement of the defective part. These remedies shall constitute MODERN PERGOLA sole obligation and sole remedy of purchaser under this warranty. In no event will MODERN PERGOLA be responsible for incidental, consequential, or special loss or damage, however caused

STEP 1

LAYOUT MATERIALS – MODERN PERGOLA products components



**MODERN PERGOLA
POST BRACKET**



**MODERN PERGOLA
CORNER BRACKET**



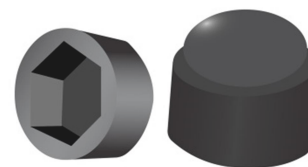
**4,8 x 35mm ETANCO
BRACKET SCREWS**



**4,8 x 20mm ETANCO
SLAT SCREWS**



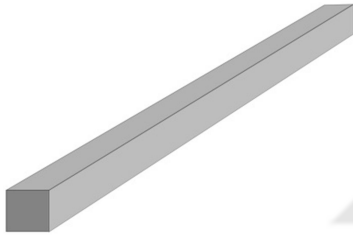
**10 x 60mm KLIMAS NYLON PLUG
AND BOLT HEX**



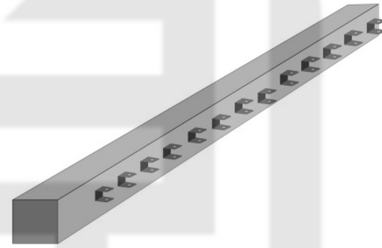
BLACK NYLON BOLT CAPS

STEP 1

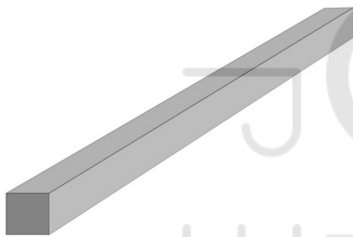
LAYOUT MATERIALS - MODERN PERGOLA products components



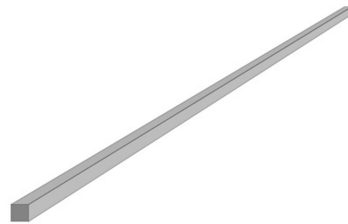
**ELEMENT (A)
ROOF POST**



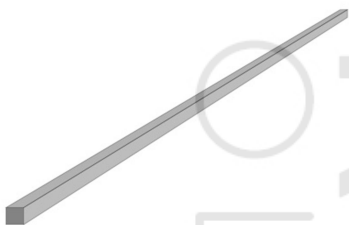
**ELEMENT (B)
ROOF POST WITH SLAT BRACKETS**



**ELEMENT (C)
UPRIGHT POST
(WITH OR WITHOUT SLAT BRACKETS)**



**ELEMENT (D)
ROOF SLATS**



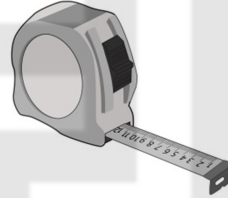
**ELEMENT (E)
PRIVACY SLAT (optional)**

STEP 1A

LAYOUT TOOLS – SUGGESTED TOOLS AND RECOMMENDATION



BATTERY DRILL



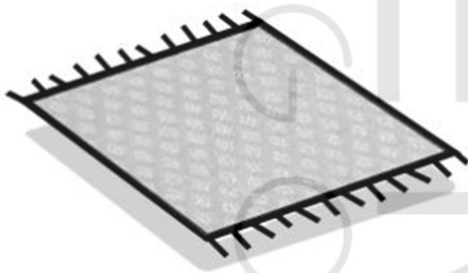
TAPE MEASURE



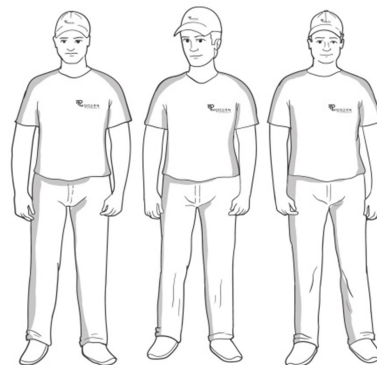
2x STEP LADDER



LEVEL



GROUND PROTECTION



3 PEOPLE REQUIRED

STEP 2

BUILDING THE ROOF TOP

Elements Required :

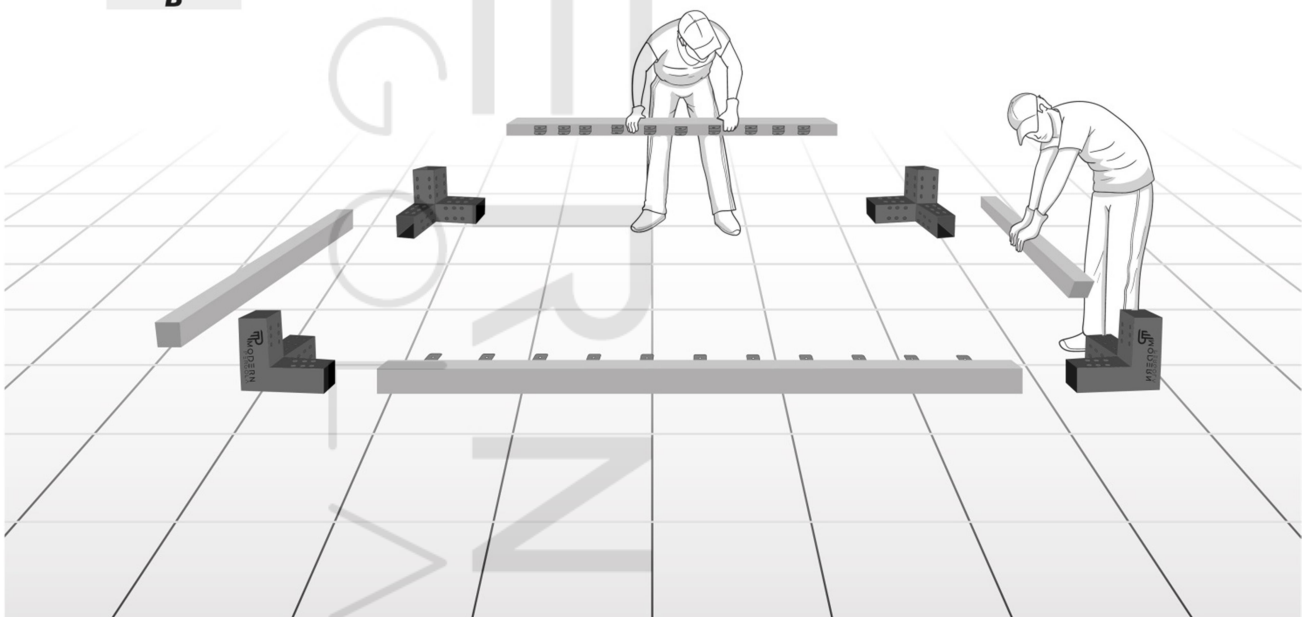
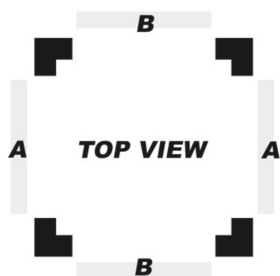
- 4no MODERN PERGOLA CORNER BRACKET
- 2no ELEMENT (A) ROOF POST
- 2no ELEMENT (B) ROOF POST WITH SLAT BRACKETS
- GROUND PROTECTION (Recommended)

Steps:

1. Lay down the GROUND PROTECTION to ensure no damage will occur to the MODERN PERGOLA elements during the installation,
2. Place flattened 4 x CORNER BRACKETS between the 2 x ELEMENT (A) ROOF POSTS -and 2 x ELEMENT (B) ROOF POST WITH SLAT BRACKETS (Elements A to be opposite each other / Elements B to be opposite each other)

Tips:

- Measure parallel posts to ensure equal lengths.
- You can turn the MODERN PERGOLA CORNER BRACKET to ensure correct logo position in all brackets.



STEP 2a

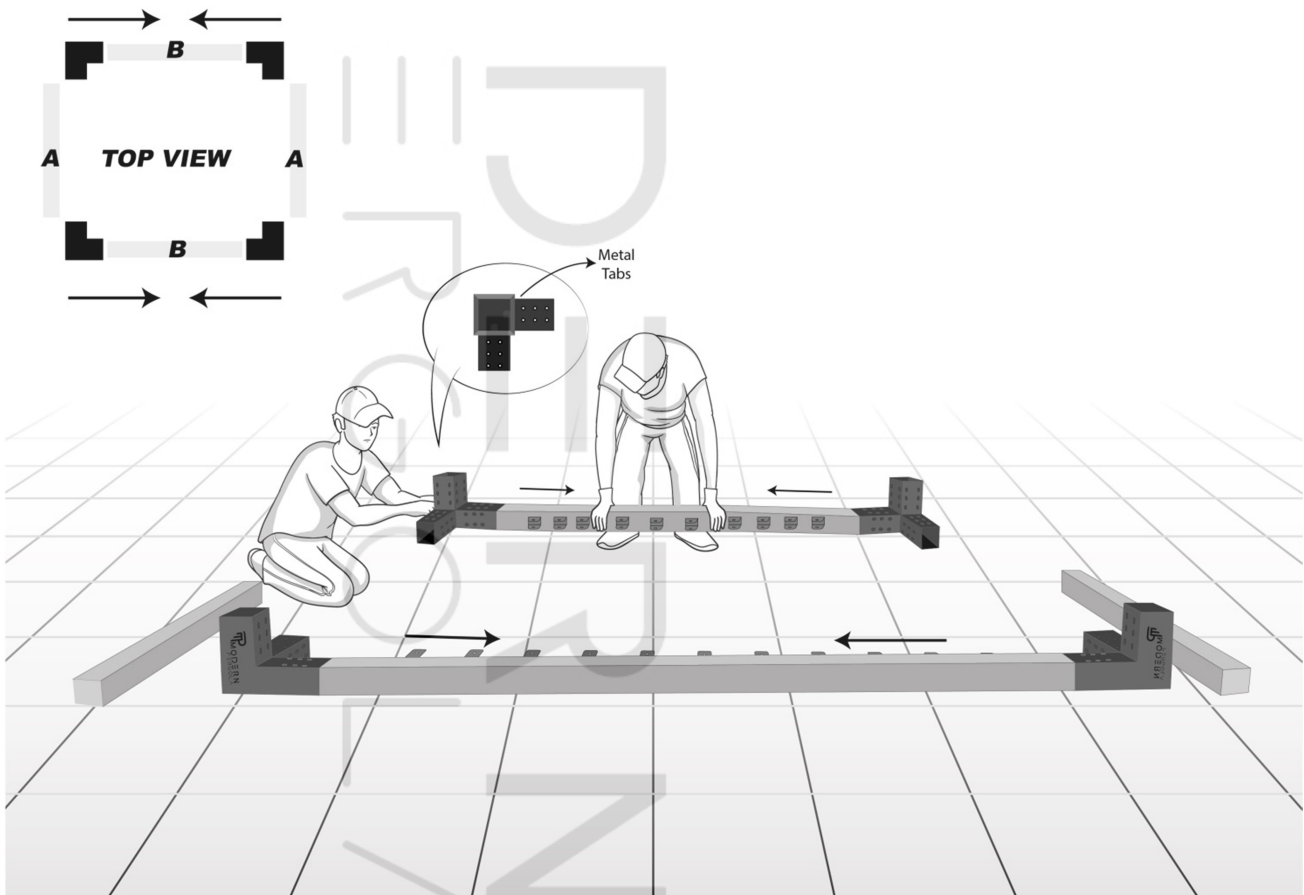
BUILDING THE ROOF TOP

STEPS:

1. Slide the MODERN PERGOLA CORNER BRACKETS on both ends of each ELEMENT (B) ROOF POST WITH BRACKETS
- push all way down to the Metal Tabs

Tips:

- Do not use screw fasteners at this stage.



STEP 2b

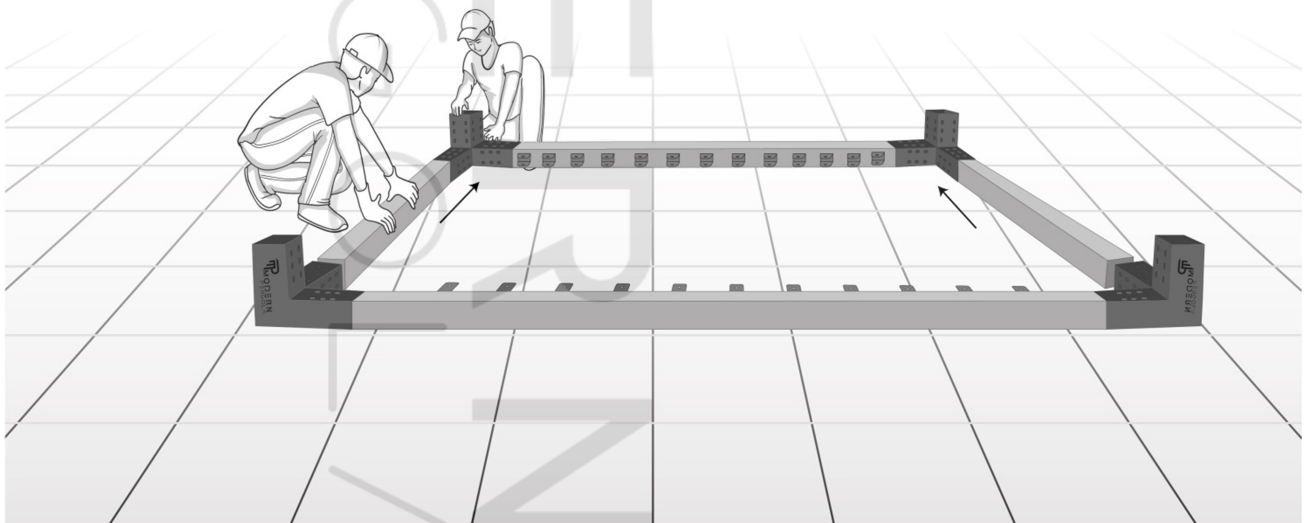
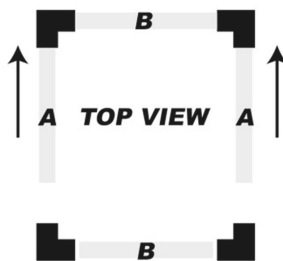
BUILDING THE ROOF TOP

Steps:

1. Slide the both ELEMENTS (A) ROOF POST on to the MODERN PERGOLA CORNER BRACKETS on both parallel sides
- push all way down to the Metal Tabs

Tips:

- Do not use screw fasteners at this stage.



STEP 2c

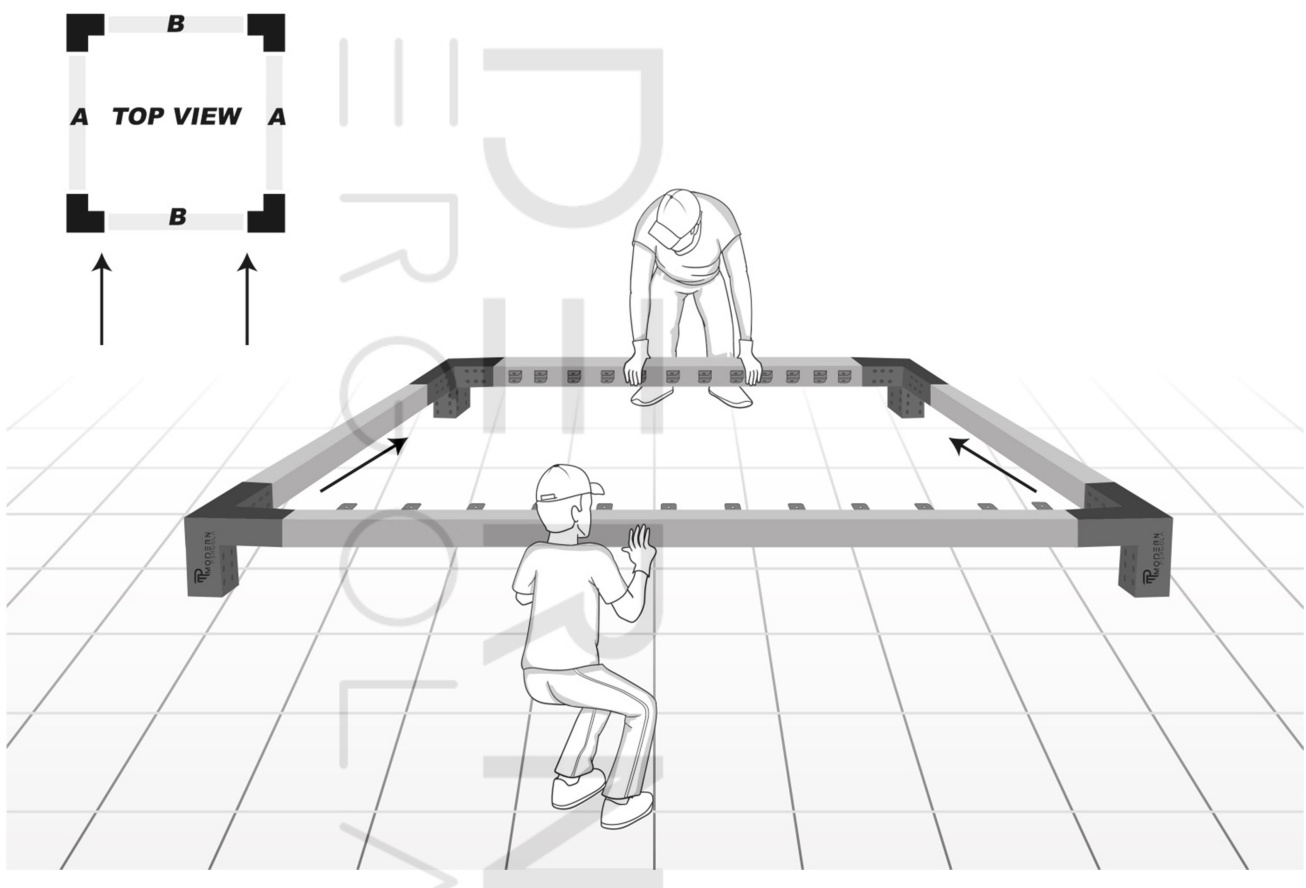
BUILDING THE ROOF TOP

Steps:

1. Raise posts off the ground and slide the remaining ELEMENT (B) ROOF POST with MODERN PERGOLA CORNER BRACKETS on to the both ends of ELEMENTS (A) ROOF POST WITH SLAT BRACKETS - push all way down to the Metal Tabs.

Tips:

- Do not use screw fasteners at this stage.



STEP 3

SECURE THE ROOF POSTS – FIX MODERN PERGOLA CORNER BRACKETS

Elements Required :

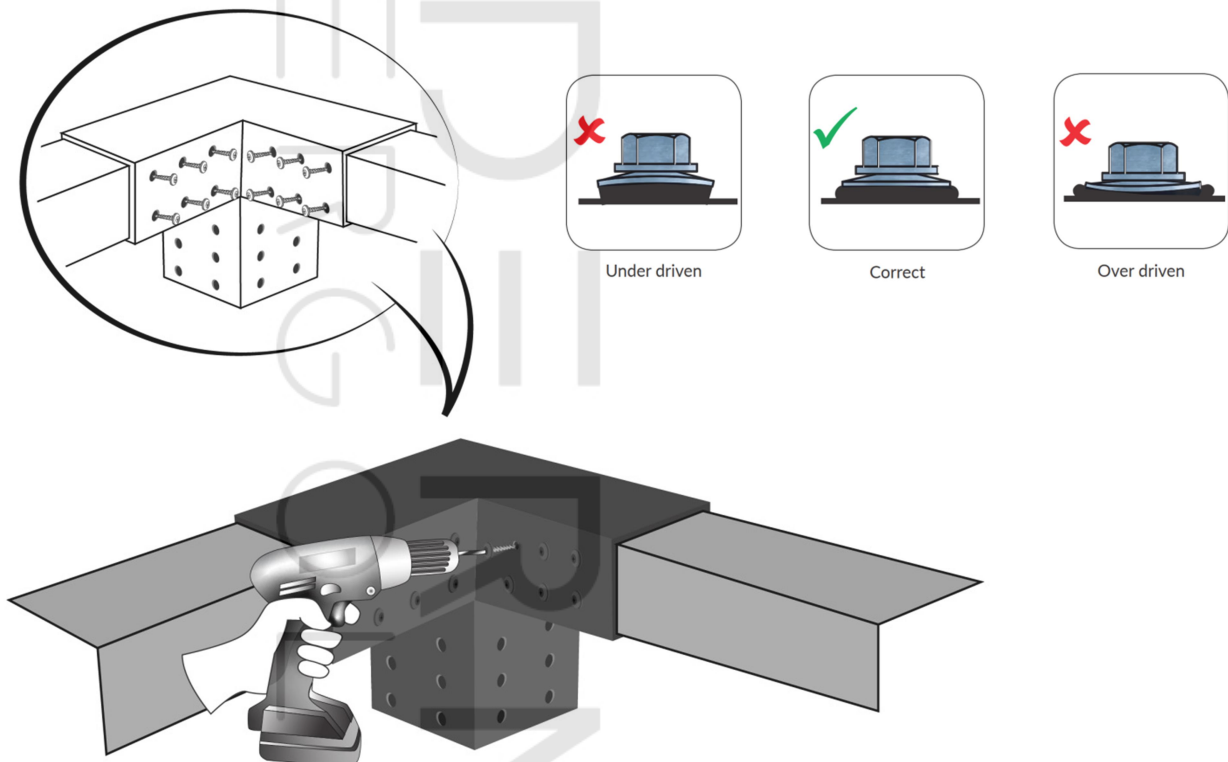
- 48no of 4,8 x 35mm ETANCO BRACKET SCREWS.

Steps:

1. Secure the ROOF POSTS - Install 12no of 4,8 x 35mm ETANCO BRACKET SCREWS in to each MODERN PERGOLA CORNER BRACKETS - ensure that the Roof Posts are pushed all way down to the Metal Tabs - Repeat on all MODERN PERGOLA CORNER BRACKETS

Tips:

- fastener installation should always be perpendicular to the structure,
- fastener installation should be done by using a screwdriver equipped with adjustable clutch or embedding depth stop,
- in the event of any damage to the anticorrosion coating, defects must be secured (touched up).



STEP 4

INSTALL UPRIGHT POSTS

Elements Required :

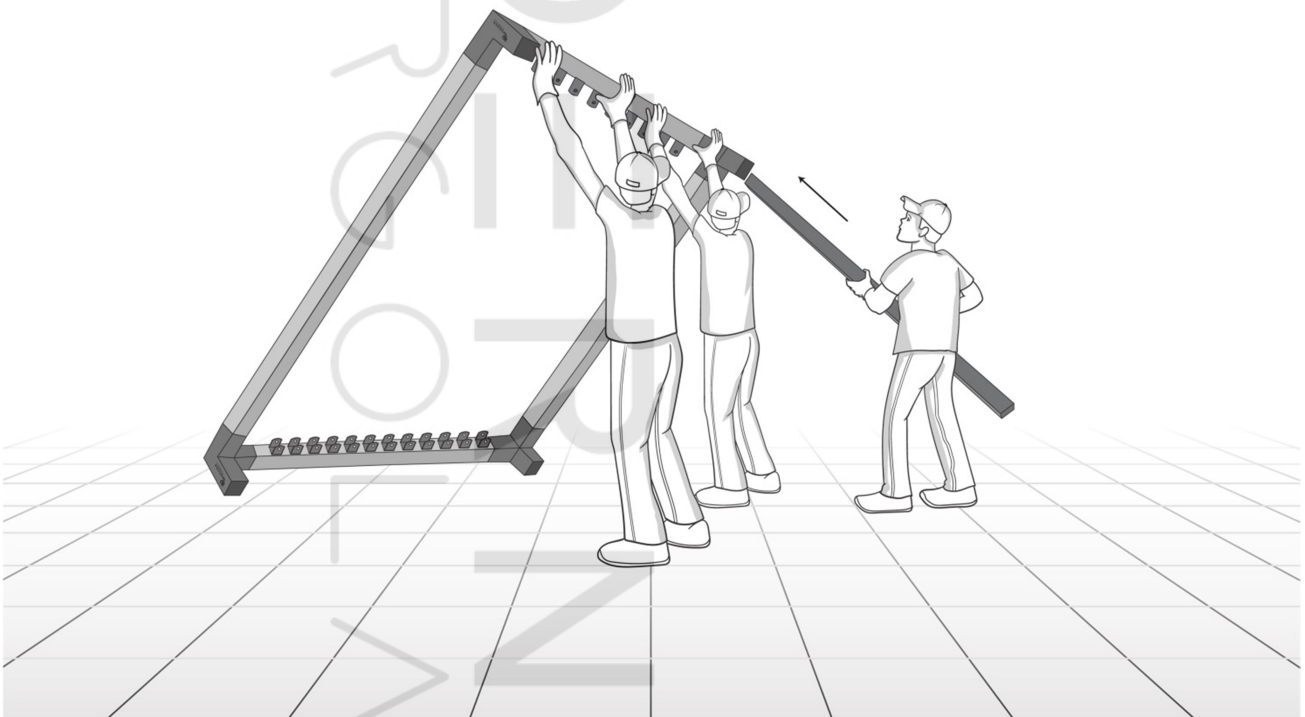
- 4no ELEMENT (C) UPRIGHT POST (WITH OR WITHOUT SLAT BRACKETS)

Steps:

1. Two people to tilt up one side of the pergola roof top, while the 3rd person to inserts the 2no ELEMENT (C) UPRIGHT POST. **ONLY LIFT IF YOU ARE COMFORTABLE WITH THE WEIGHT!**
If your MODERN PERGOLA have optional privacy screen – make sure the slats brackets are on opposite sides and facing inside.

Tips:

- Use Manual Handling Techniques
- Ensure Ground Protection is under the both of MODERN PERGOLA CORNER BRACKETS to avoid the damage.
- Do not use screw fasteners at this stage.



STEP 4a

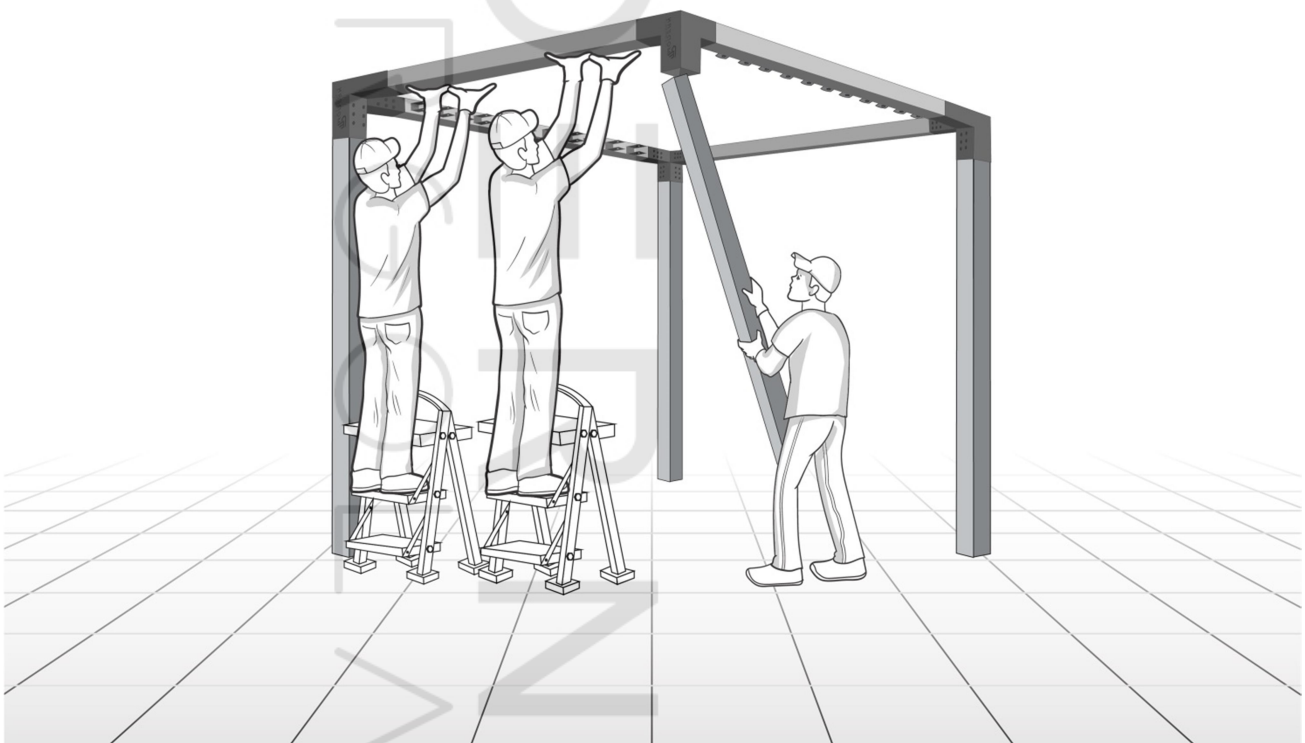
INSTALL UPRIGHT POSTS

Steps:

1. Two people on the step ladders to lift up one side of the pergola roof top, while the 3rd person to inserts the 2nd ELEMENT (C) UPRIGHT POST. **ONLY LIFT IF YOU ARE COMFORTABLE WITH THE WEIGHT!**
If your MODERN PERGOLA have additional privacy screen - make sure the slats brackets are on opposite sides and facing inside.

Tips:

- Use Manual Handling Techniques
- Do not use screw fasteners at this stage.



STEP 5

SECURE THE UPRIGHT POSTS - FIX MODERN PERGOLA CORNER BRACKETS

Elements Required :

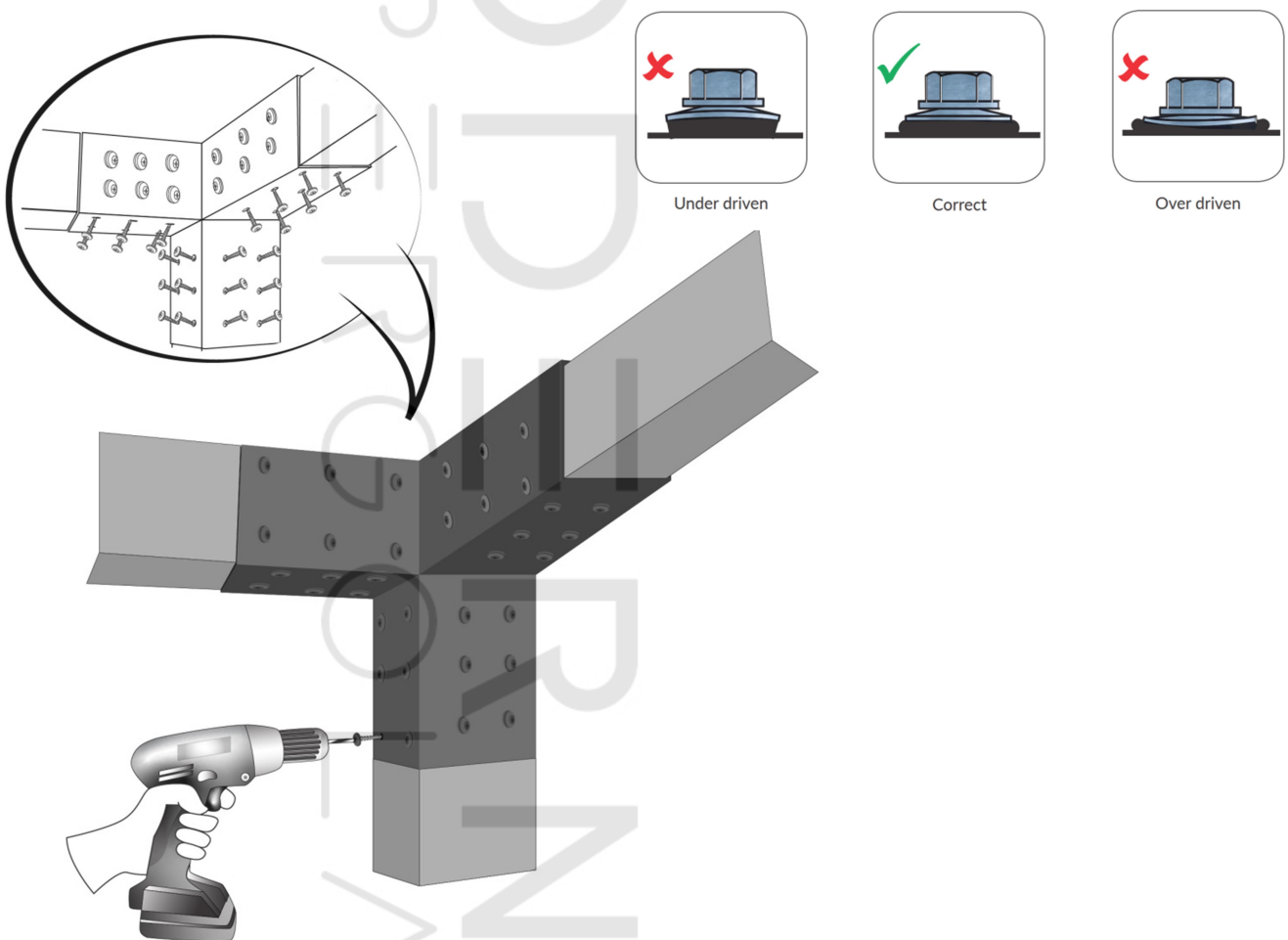
- 96no of 4,8 x 35mm ETANCO BRACKET SCREWS.

Steps:

1. Secure the UPRIGHT POSTS and ROOF POSTS - Install 24no of 4,8 x 35mm ETANCO BRACKET SCREWS in to each MODERN PERGOLA CORNER BRACKETS - Repeat on all 4no MODERN PERGOLA CORNER BRACKETS

Tips:

- fastener installation should always be perpendicular to the structure,
- fastener installation should be done by using a screwdriver equipped with adjustable clutch or embedding depth stop,
- in the event of any damage to the anticorrosion coating, defects must be secured (touched up).



STEP 6

INSTALL POST BRACKET - FIX TO THE GROUND/ STRUCTURE

Elements Required :

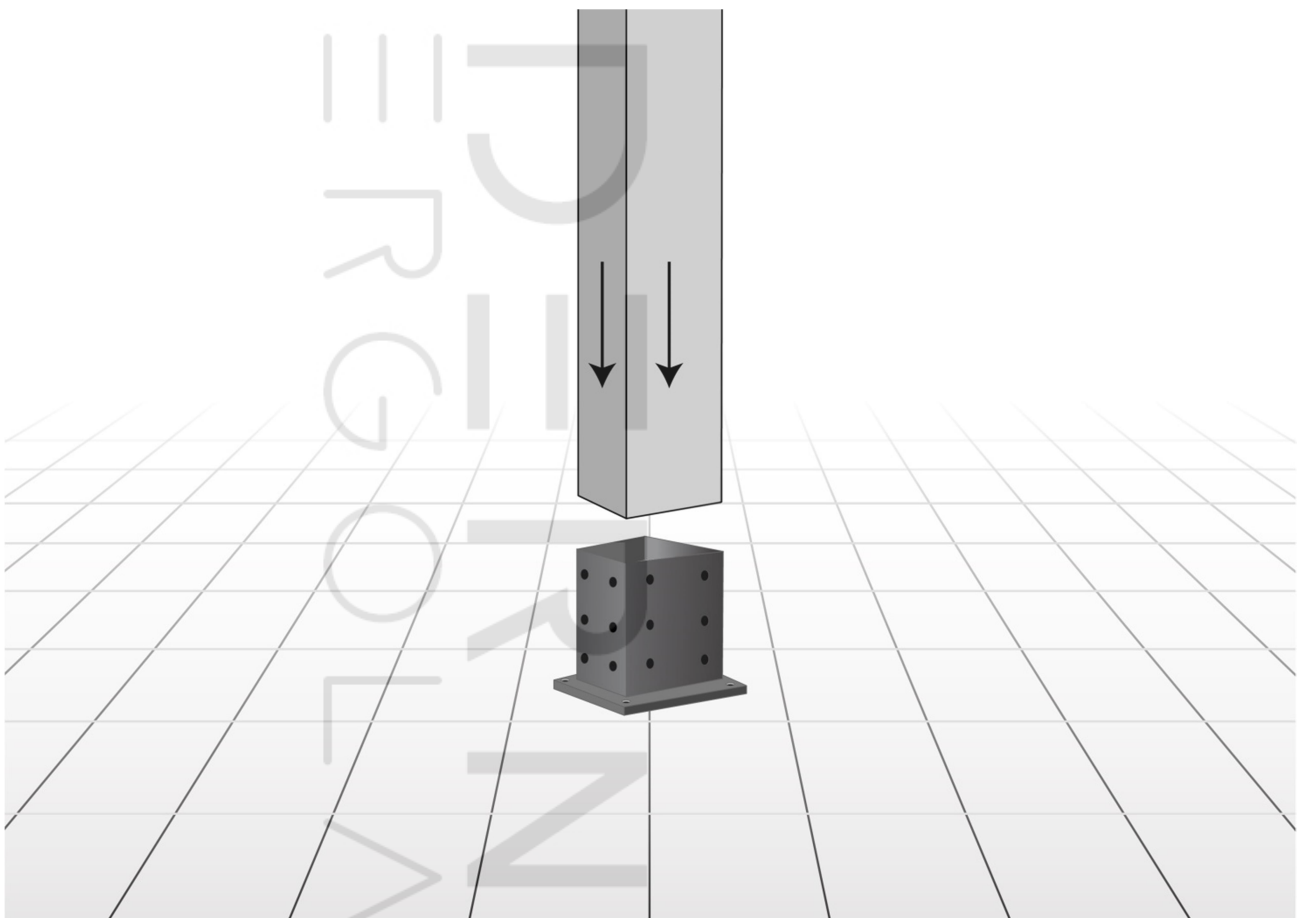
- 4no MODERN PERGOLA POST BRACKETS

Steps:

1. Two people to lift UPRIGHT POST while 3rd person slides a MODERN PERGOLA POST BRACKET under the post.
ONLY LIFT IF YOU ARE COMFORTABLE WITH THE WEIGHT!
2. Slowly drop post into MODERN PERGOLA POST BRACKET - Repeat on all 4 UPRIGHT POSTS

Tips:

- Use Manual Handling Techniques
- Do not use screw fasteners at this stage.



STEP 6a

INSTALL POST BRACKET - FIX TO THE GROUND/ STRUCTURE

Elements Required :

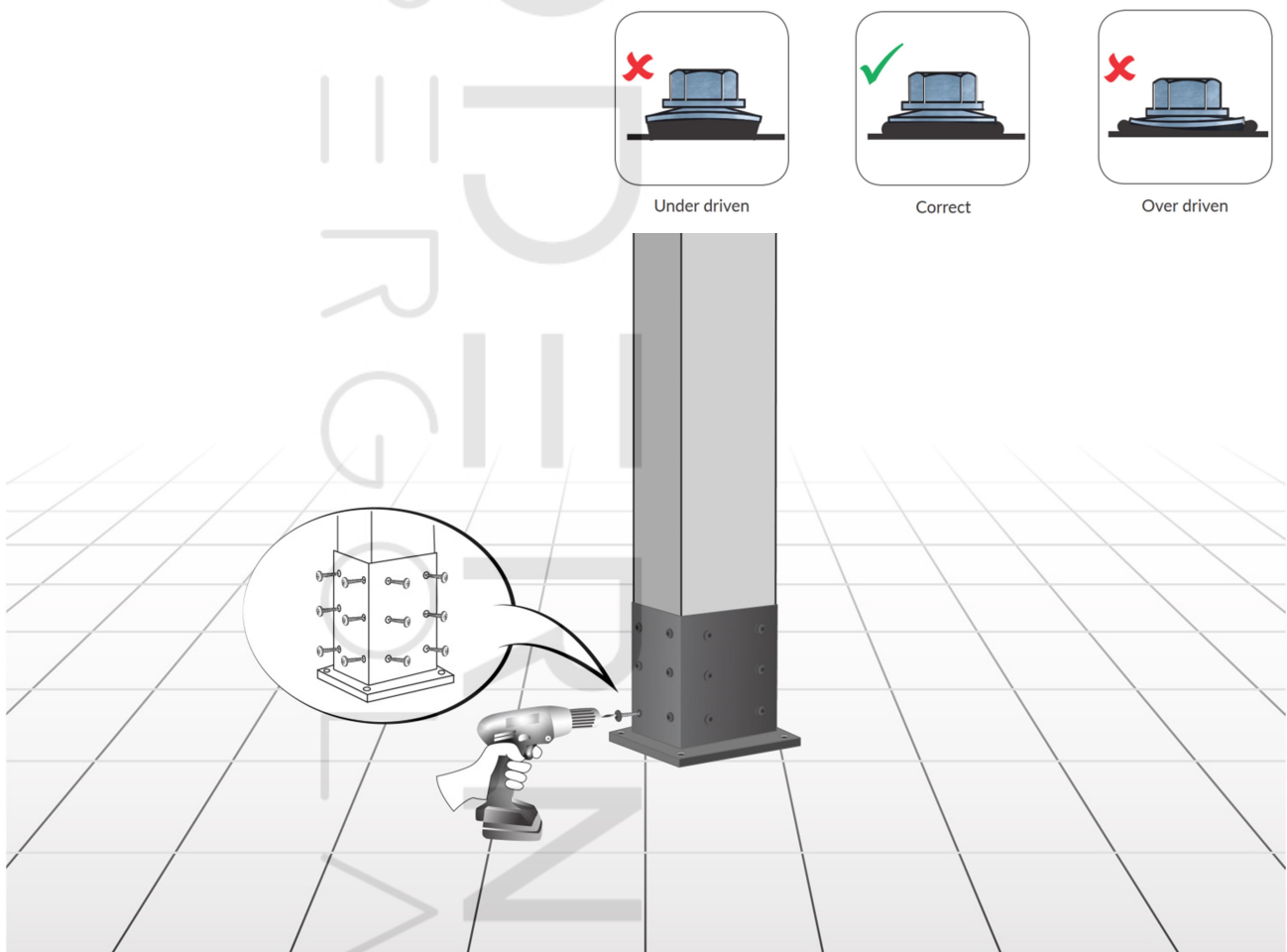
- 48no of 4,8 x 35mm ETANCO BRACKET SCREWS.

Steps:

1. Secure the UPRIGHT POSTS - Install 12no of 4,8 x 35mm ETANCO BRACKET SCREWS in to each MODERN PERGOLA POST BRACKETS - Repeat on all 4 MODERN PERGOLA POST BRACKETS

Tips:

- fastener installation should always be perpendicular to the structure,
- fastener installation should be done by using a screwdriver equipped with adjustable clutch or embedding depth stop,
- in the event of any damage to the anticorrosion coating, defects must be secured (touched up).

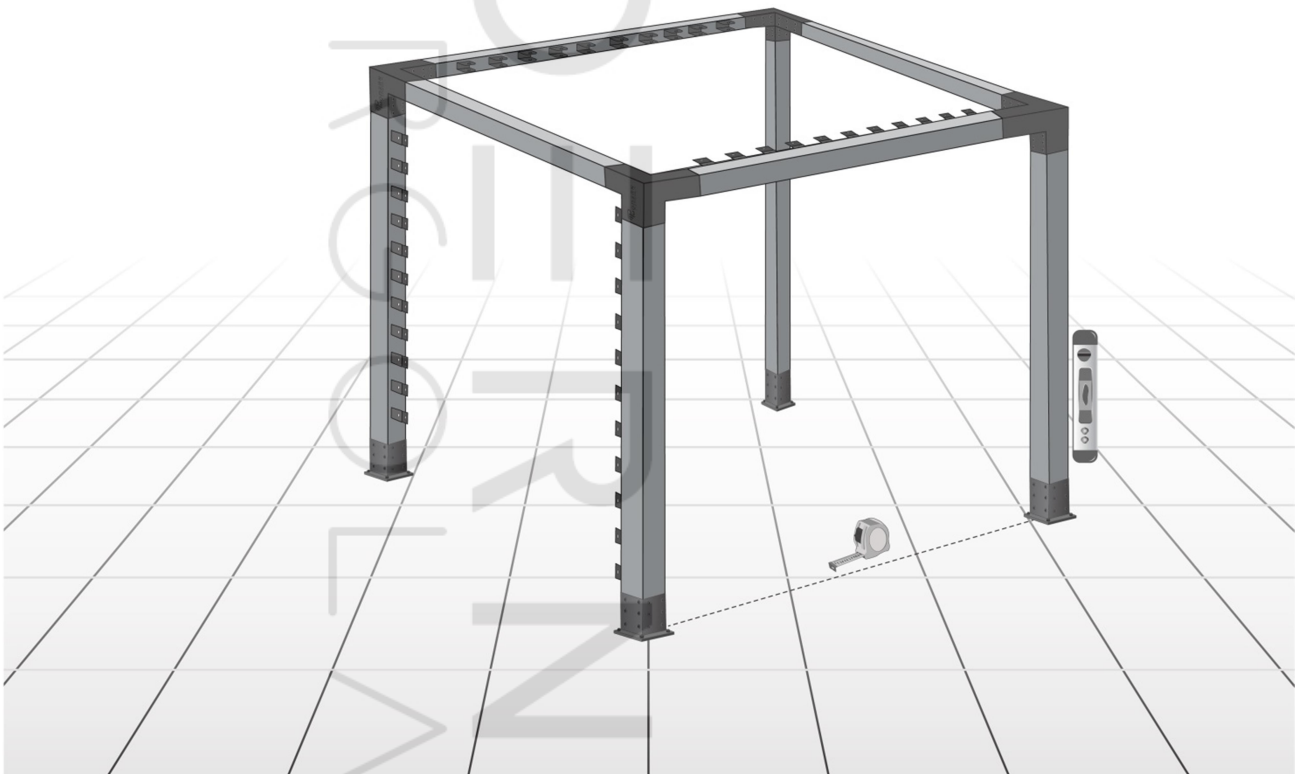


STEP 6b

INSTALL POST BRACKET - FIX TO THE GROUND/ STRUCTURE

Steps:

1. Plumb all 4 UPRIGHT POSTS
2. Measure and align all 4 UPRIGHT POSTS - to ensure equal distance between each opposite side been achieved.



STEP 6c

INSTALL POST BRACKET - FIX TO THE GROUND/ STRUCTURE

Elements Required :

- 16no 10 x 60mm KLIMAS NYLON PLUG AND BOLT HEX (or similar - depend of the substrate)
- 16no BLACK NYLON BOLT CAPS

Steps:

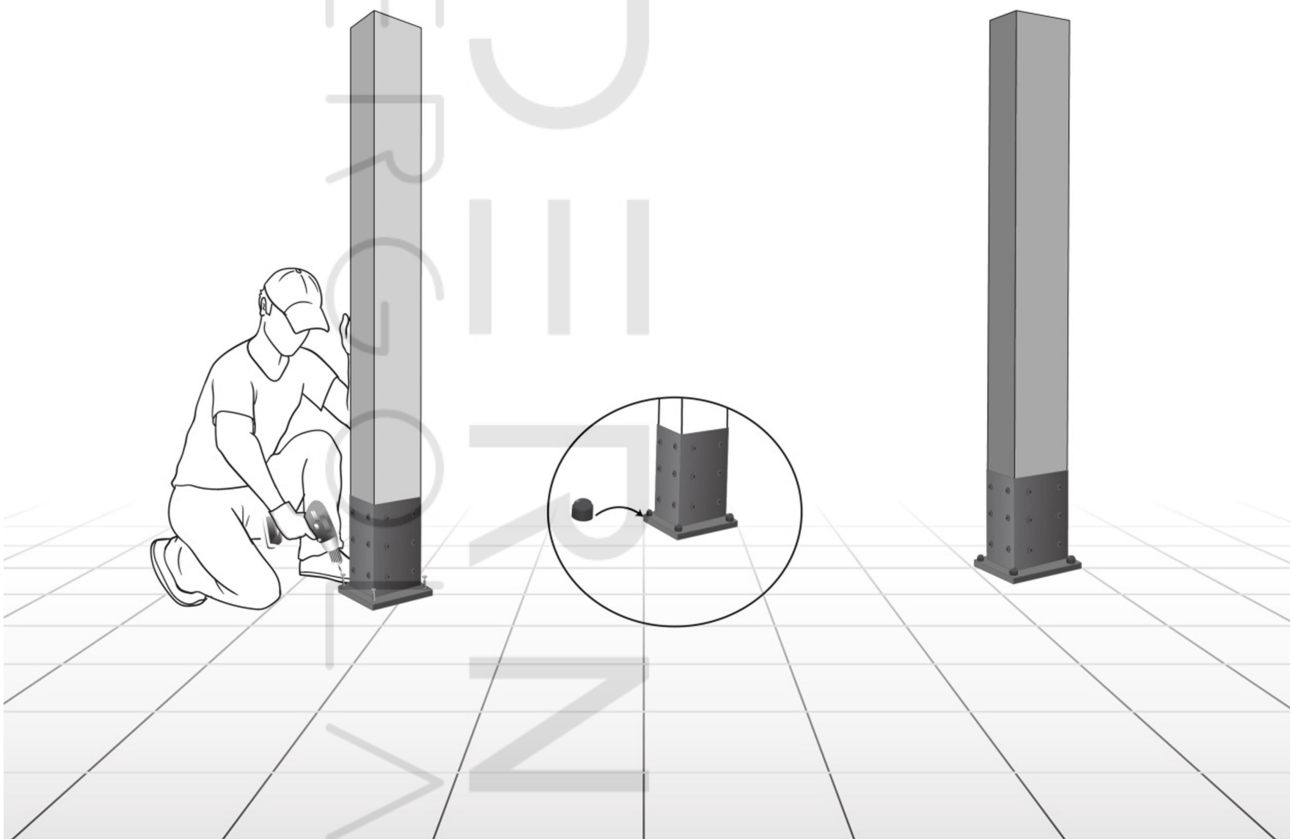
1. **For timber/ composite decking installation-** the posts must be fixed to the main framing structure via minimum of 16no of 10 x 60mm bolts HEX or similar

For concrete installation - the posts must be fixed via 16no of Klimas Nylon plug and 10 x 60mm bolts HEX (or similar) permanently fixed to sound, un-cracked concrete that minimum weight is 120kg under each post bracket.

2. Install the 4no BLACK NYLON BOLT CAPS on top of BOLT HEX - repeat on all 4 POST BRACKETS

Tips:

- Consult your local building permit office or qualified structural engineer to determine the correct fixings has been used for your substrate.



STEP 7

INSTALL ROOF SLATS

Elements Required :

- ELEMENT (D) ROOF SLAT
- 4,8 x 20mm ETANCO SLAT SCREWS

Steps:

1. Place ELEMENT (D) ROOF SLAT in to preinstalled slats brackets.
2. Centralise the ELEMENT (D) ROOF SLAT in slat bracket on both sides.
3. Fix ELEMENT (D) ROOF SLAT with 2no 4,8 x 20mm ETANCO SLAT SCREWS- top and bottom.
4. Replete Step 3 on other side.
5. Carry out steps 1, 2, 3 and 4 till all ROOF SLATS are installed.

Tips:

- fastener installation should always be perpendicular to the structure,
- fastener installation should be done by using a screwdriver equipped with adjustable clutch or embedding depth stop,
- in the event of any damage to the anticorrosion coating, defects must be secured (touched up).



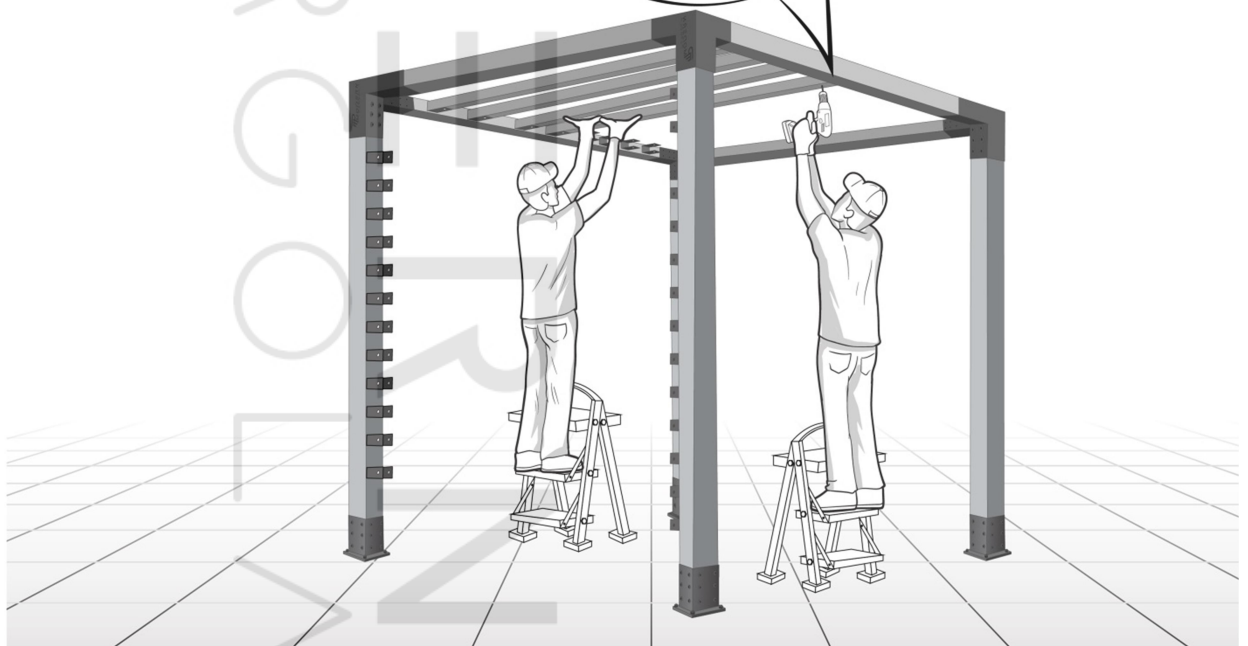
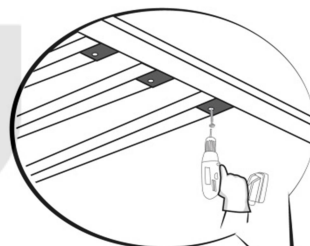
Under driven



Correct



Over driven



STEP 8

INSTALL PRIVACY SLATS - optional

Elements Required :

- ELEMENT (E) PRIVACY SLAT
- 4,8 x 20mm ETANCO SLAT SCREWS

Steps:

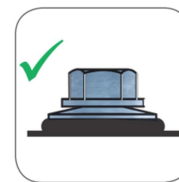
1. Place ELEMENT (E) PRIVACY SLAT in to preinstalled slats brackets.
2. Centralise the ELEMENT (E) PRIVACY SLAT in slat bracket on both sides.
3. Fix ELEMENT (E) PRIVACY SLAT with 2no 4,8 x 20mm ETANCO SLAT SCREWS- inside and outside.
4. Replete Step 3 on the other side.
5. Carry out steps 1, 2, 3 and 4 till all PRIVACY SLATS are installed.

Tips:

- fastener installation should always be perpendicular to the structure,
- fastener installation should be done by using a screwdriver equipped with adjustable clutch or embedding depth stop,
- in the event of any damage to the anticorrosion coating, defects must be secured (touched up).



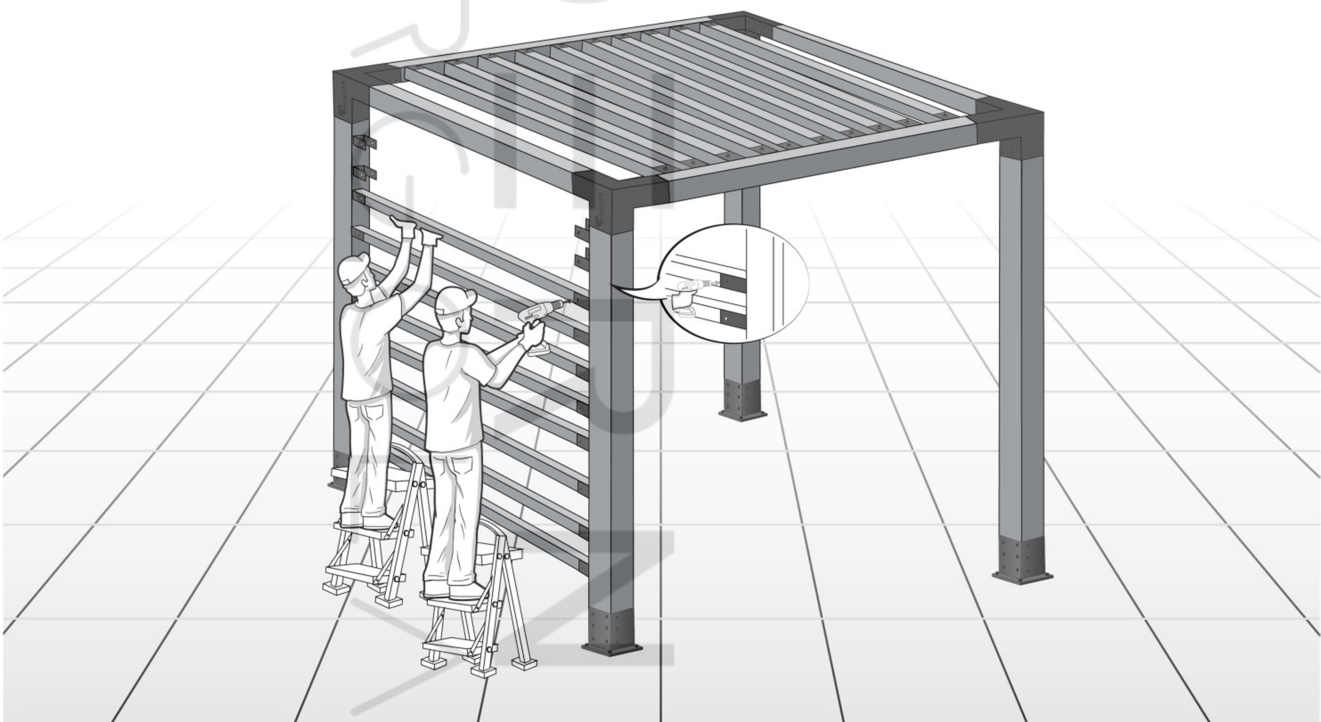
Under driven



Correct



Over driven





THANK YOU FOR YOUR ORDER

We hope you enjoy your Modern Pergola.

All our products are crafter with an obsessive attention to detail.

Now you have a chance to win £100 off to your original order !

To participate in this competition, please take a beautiful photo snaps of your completed Modern Pergola project and send it to us on

Info@modernpergola.co.uk (more photos/ more chance to win!)*

Each month MP team will chose the best photos/ project to select a winner!

Winner will be contacted directly via email and £100 refund will be issued immediately.

Good luck and looking forward to seeing your completed project!

*NOTE: All provided photos might be used on our social media accounts for advertising purposes.

www.modernpergola.co.uk

Find us online @modernpergola

